

DISABLED TOILETS UK

LIGATURE RESISTANT DISABLED EXTENDED TOILET PACK

DTUK1501

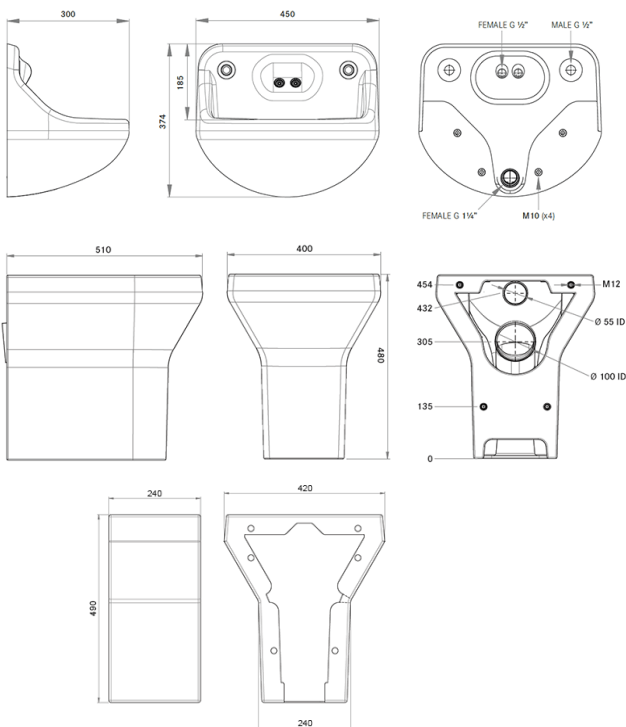


Ligature resistant extended depth back to wall disabled toilet pack, available with a choice of rail colour and optional impact resistant mirror.

Ligature resistant disabled toilet packs offer a high security, robust solution where ligature points need to be minimised, with excellent impact and vandal resistance. The components have been designed without ligature points where possible, and are suitable for a variety of installation types.

NEED MORE INFORMATION?

Call us on 01603 558850 or
e-mail us at sales@disabled-toilets-uk.co.uk



RAIL COLOUR



Blue



White



Grey



Stainless Steel

SPECIFICATION

- Extended depth back to wall disabled height toilet pan with blue top
- Concealed cistern with wave-on flush sensor
- Integrated basin with wave-on tap controls
- Thermostatic mixing valve
- 5x ligature resistant 600mm grab rails

ALSO AVAILABLE WITH

With Ligature Resistant Mirror

DTUK1501+M

With Removable Drop-Down Arm

DTUK1511